



Datasheet of 1.85-1.85 Adapter

Saluki Technology Inc.

The document applies to the adapters of the following models:

SAMM-(1.85/2.4)	1.85mm (male) to 2.4mm (male) adapter
SAMF-(1.85/2.4)	1.85mm (male) to 2.4mm (female) adapter
SAFF-(1.85/2.4)	1.85mm (female) to 2.4mm (female) adapter
SAFM-(1.85/2.4)	1.85mm (female) to 2.4mm (male) adapter

Preface

Thank you for choosing Saluki Technology Inc. products.

We devote ourselves to meeting your demands, providing you high-quality measuring instrument and the best after-sales service. We persist with “superior quality and considerate service”, and are committed to offering satisfactory products and service for our clients.

Document No.

SA1.85_2.4-02-01

Version

Rev01 2016.09

Saluki Technology

Document Authorization

The information contained in this document is subject to change without notice. The power to interpret the contents of and terms used in this document rests with Saluki.

Saluki Tech owns the copyright of this document which should not be modified or tampered by any organization or individual, or reproduced or transmitted for the purpose of making profit without its prior permission, otherwise Saluki will reserve the right to investigate and affix legal liability of infringement.

Contacts

Service Tel:	886.2.2175 2930
Website:	www.salukitec.com
Email:	info@salukitec.com
Address:	No. 367 Fuxing N Road, Taipei 105, Taiwan (R.O.C.)

Content

1. General Specification.....	5
2. VSWR.....	5
3. Dimension.....	6

1. General Specification

Following specifications are applied to adapters described in this document

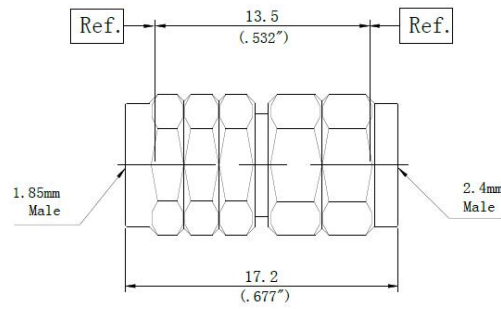
Specifications	
Impedance	50ohm
Frequency	DC-50GhZ
Durability	>500 Matings
Temperature Range	-55°C - +165°C
Material/Finishing	
Housing	Stainless Steel SU303 Polished/Passivated
Contact	Beryllium Copper Gold Plated (per MIL-G-45204)
Insulators	PEI
Standard	
2.4mm Interface	IEC-61169-40
1.85mm Interface	IEC-61169-32

2. VSWR

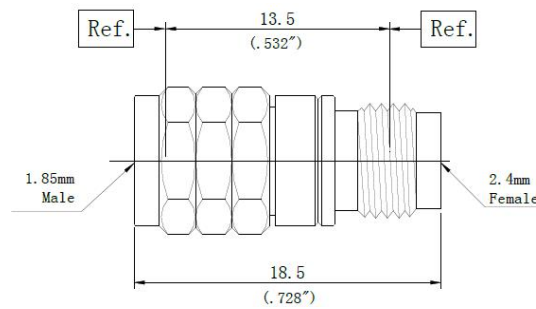
Model No.	VSWR	Frequency Range
SAMM-(1.85/2.4)	≤1.25: 1	DC - 50GHz
SAMF-(1.85/2.4)	≤1.25: 1	DC - 50GHz
SAFF-(1.85/2.4)	≤1.25: 1	DC - 50GHz
SAFM-(1.85/2.4)	≤1.25: 1	DC - 50GHz

3. Dimension

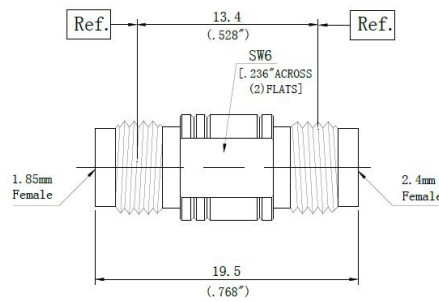
- **SAMM-(1.85/2.4)**



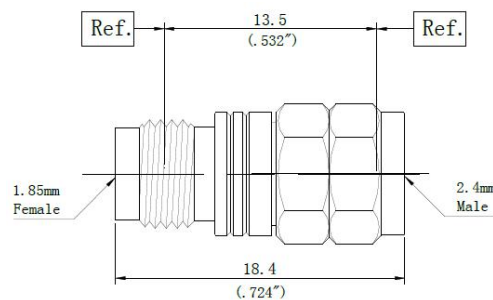
- **SAMF-(1.85/2.4)**



- **SAFF-(1.85/2.4)**



- **SAFM-(1.85/2.4)**



- End of Document-